

# STURDI PIPE CHAIN CLAMP

1 - 72" / 33.4 - 1,827 mm



PRODUCT BROCHURE

1 - 72" / 33.4 - 1,827 mm

The Mathey Dearman Sturdi Pipe Chain Clamp is a chain clamp ideal for schedule 40 and below pipe alignment and reforming. Originally invented in 1930, Mathey Dearman offers the Sturdi Pipe Chain Clamp as a lighter duty version of the Mathey Dearman Double Jackscrew Pipe Chain Clamp.

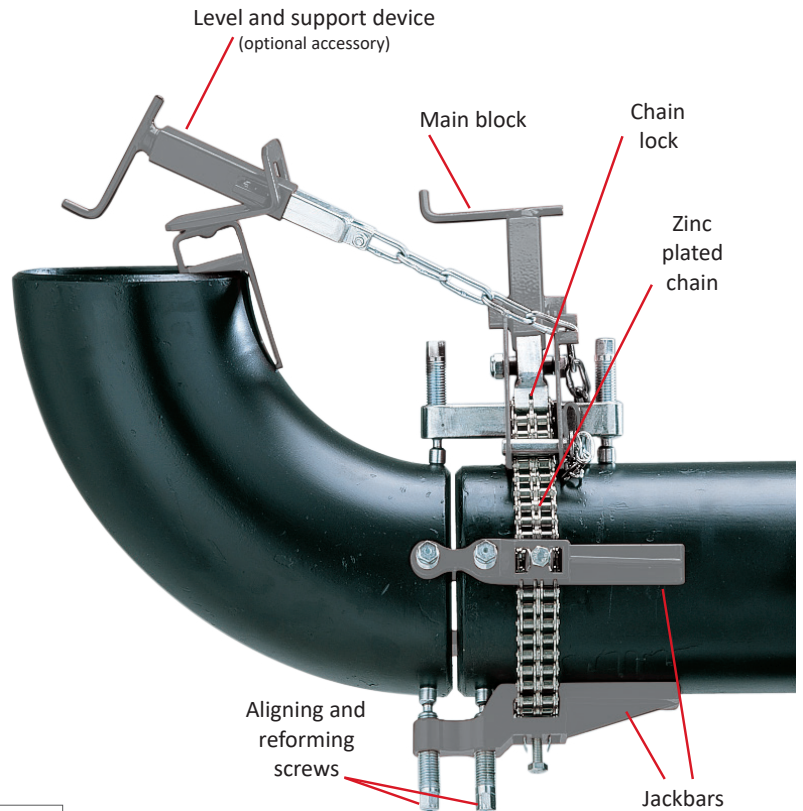
Traditional methods for aligning heavy wall pipe, such as ratchet cable pullers, lugs and bottle jacks are time consuming and inconsistent in the results they achieve, making them unsuitable for the majority of critical alignment applications.

One clamp can fit up a variety of sizes of pipes 1 - 36" / 33.4 - 914 mm diameter, elbows, tees, flanges end caps and most other pipe fittings (using the level and support device purchased as an accessory).

The Mathey Dearman Sturdi Pipe Chain Clamp is available in carbon steel chain or stainless steel version.

All Mathey Dearman Sturdi Pipe Chain Clamps feature stainless steel jackscrews, jackbars and main blocks.

The high rise jackbars and main block provide the strength to reform the pipe either side of the weld gap to eliminate "Hi-Lo", whilst enabling the welder to weld the entire circumference of the pipe with the clamp in situ.

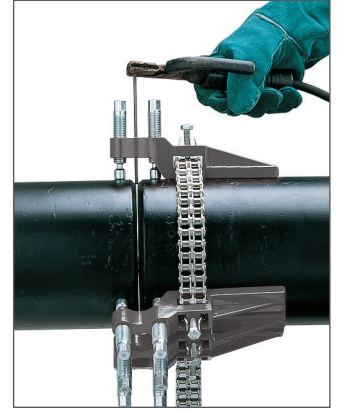
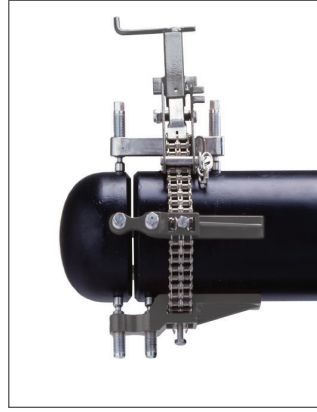
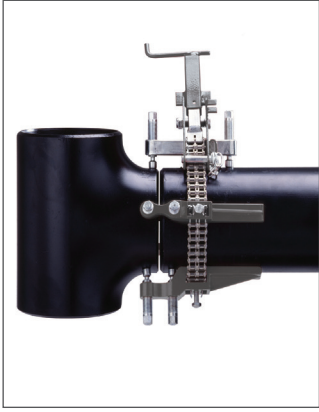


## FEATURES AND ADVANTAGES

- **Precision alignment** - The double jackbars, spaced around the outside diameter of the pipe, provide concise alignment and reforming of the internal or external diameters of both pipes within 0.5mm
- **Reformability** - Reforms pipes on both sides of the weld joint to schedule 40 pipe and aligns any wall schedule of pipe, elbows, tees and other fittings
- **Adaptable** - The chain clamp can be used to align, and reform elbows, tees and other fittings that a cage clamp can not manage. One chain clamp covers the range of eight cage clamps
- **High rise independent jackbars** - Double jackscrew 'high rise' jackbars have extra clearance enabling easy access with welding torch/rod. Each jackscrew has independently pivoting feet to cope with uneven surfaces
- **Wide range** - One chain clamp covers a wide range of pipe sizes
- **Safe** - Elbows, tees and other fittings can be held safely and securely in place during alignment with the level and support device

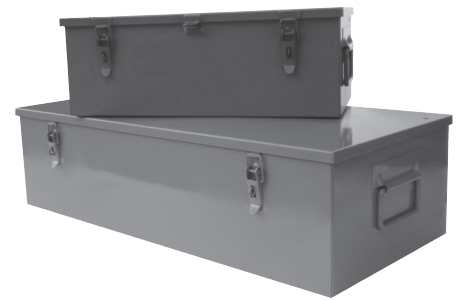
## STURDI PIPE CHAIN CLAMP VERSATILITY

Some examples of fit-ups with the Sturdi Clamp. Each clamp is supplied with all accessories to carry out any fit-up and includes a steel storage box.



### MATHEY DEARMAN STURDI PIPE CHAIN CLAMP INCLUDES:

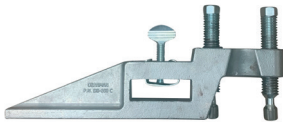
- Nickel plated carbon steel or stainless steel duplex roller chain
- Stainless steel single or double jackscrew jackbars - quantity as indicated in specifications
- Stainless steel main block
- Jackscrew breaker bar and socket
- Heavy duty storage box
- Parts and operating manual



#### JACKBAR MODEL



DA-600S



DB-600S

#### MAIN BLOCK MODEL



DA-100



DB-100

#### CHAIN MODEL



DA-300/DA-300S



DB-300/DB-300S

## MATHEY DEARMAN STURDI PIPE CHAIN CLAMP

PART NO.	NO OF JACKBARS	PIPE SIZE RANGE		REFORMS/ALIGNS PIPE TO SCHEDULE*	JACKBAR MODEL	MAIN BLOCK MODEL	CHAIN MODEL
D250-SC	4	1 - 12"	33.4 - 323.8 mm	40 / 80	DA-600S	DA-100	DA-300
* D250-SCSS	4	1 - 12"	33.4 - 323.8 mm	40 / 80	DA-600S	DA-100	DA-300S
D249-SC	7	4 - 20"	114.3 - 508 mm	40 / 80	DA-600S	DA-100	DA-300
* D249-SCSS	7	4 - 20"	114.3 - 508 mm	40 / 80	DA-600S	DA-100	DA-300S
* D235-SCSS	8	10 - 36"	273 - 914 mm	40 / 80	DB-600S	DB-100	DB-300S
* D236-SCSS	13	10 - 54"	273 - 1,372 mm	40 / 80	DB-600S	DB-100	DB-300S
* D237-SCSS	16	10 - 72"	273 - 1,827 mm	40 / 80	DB-600S	DB-100	DB-300S

\* Suitable for stainless steel

The Sturdi Pipe Chain Clamp does not include level and support device - these can be purchased as an accessory.  
Calculations are based on pipe with a tensile strength of 45,000 lbs per square inch (3,168 kg per square centimeter)