

MAX JAX™

---




PRODUCT BROCHURE

The Max Jax™ is the ultimate solution for handling large-diameter pipe applications, supporting pipes up to an impressive 36" / 900 mm in diameter. Engineered for strength and adaptability, its robust V-head is designed to accommodate a variety of attachment options, offering enhanced versatility for different job requirements. Alternatively to the V-head, the Max Jax™ can also be fitted with the Beam Jax™ head (max width. 24" / 609 mm) ideal for beams and even for pipes. Whether used for standard support or customized operations, the Max Jax™ delivers reliable performance in demanding environments.

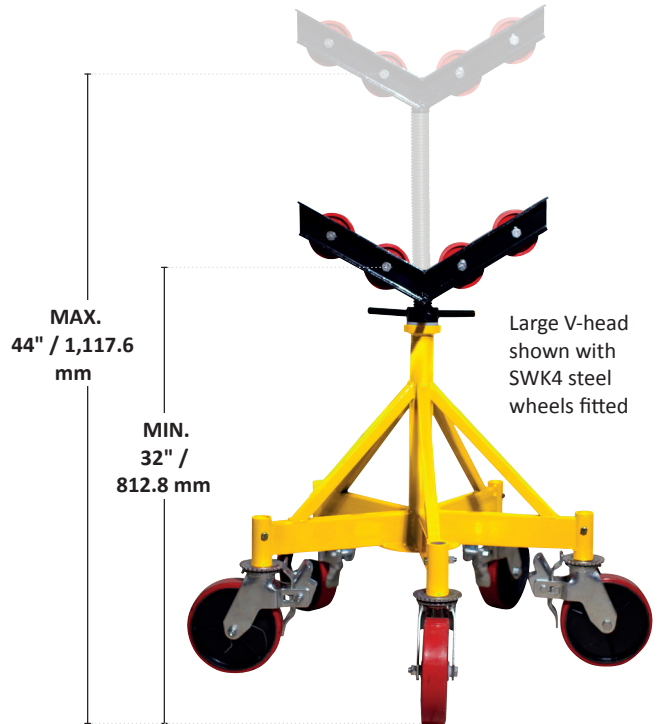
This powerful system is built on a sturdy 5 leg Max Jax™ base, which ensures exceptional stability and strength. For added mobility, the jack can be equipped with caster wheels, allowing operators to move large pipe sections with greater ease and precision - ideal for applications that require both heavy-duty support and flexibility.

What truly sets the Max Jax™ apart is its reinforced construction. Featuring increased steel dimensions throughout the frame - including a solid 1.75-inch ACME-threaded adjustment rod - this jack is purpose-built to withstand extreme loads, making it the toughest and most durable option available in its class.

<b>PART NO</b>	<b>3500</b>		
OLD BB PART NO 3500 OLD SUMNER PART NO 781460 <b>DESCRIPTION:</b> Max Jax™ with V-Head			
<b>LOAD CAPACITY</b>		<b>SHIPPING WEIGHT</b>	
5,000 lbs	2,265 kg	64.00 lbs	29.00 kg
Available in a crate of 14 pieces (PART NO 3500x14)			

**SPECIFICATIONS**

- Maximum capacity 5,000 lbs / 2,265 kg capacity depending on configuration
- Operating height with swivel casters: 32 - 44" / 812.8 - 1,117.6 mm
- Operating height with jack only: 24 - 36" / 609.6 - 914.4 mm
- Minimum - maximum pipe diameter 1 - 36" / 25.4 - 914.4 mm
- Solid 1¾" (1.75") ACME-thread adjustment
- Urethane over steel 8" casters with solid hub increase safety and durability
- 1.5" wide steel / phenolic wheels to reduce instances of "pipe travel"
- Can be purchased as a complete kit as shown: jack, casters, and wheels
- Turning wheels available in steel, stainless steel, and phenolic
- Multiple add-ons available, including stainless steel sleeves for contamination free fit-up, recommended hold down chain device for transport, ball transfer attachments for variation of pipe movement and more





# MAX JAX™ COMPLETE KITS



NEW PART NO	OLD SUMNER PART NO	OLD BB PART NO	DESCRIPTION				
3510SWH	781403	3510	Max Jax™ kit with steel wheels in V-head and casters				
DIMENSIONS (L x W x H)		ADJUSTMENT HEIGHT		LOAD CAPACITY		SHIPPING WEIGHT	
30 x 30 x 32"	762 x 762 x 812.8 mm	32 - 44"	812.8 - 1,117.6 mm	5,000 lbs	2,265 kg	114 lbs	52.00 kg



NEW PART NO	OLD SUMNER PART NO	OLD BB PART NO	DESCRIPTION				
3510PWH	n/a	3511	Max Jax™ kit with phenolic wheels in V-head and casters				
DIMENSIONS (L x W x H)		ADJUSTMENT HEIGHT		LOAD CAPACITY		SHIPPING WEIGHT	
30 x 30 x 32"	762 x 762 x 812.8 mm	32 - 44"	812.8 - 1,117.6 mm	1,000 lbs	450 kg	106 lbs	48.00 kg



NEW PART NO	OLD SUMNER PART NO	OLD BB PART NO	DESCRIPTION				
3510SSWH	n/a	3510	Max Jax™ kit with stainless steel wheels in V-head and casters				
DIMENSIONS (L x W x H)		ADJUSTMENT HEIGHT		LOAD CAPACITY		SHIPPING WEIGHT	
30 x 30 x 32"	762 x 762 x 812.8 mm	32 - 44"	812.8 - 1,117.6 mm	5,000 lbs	2,265 kg	114 lbs	52.00 kg



NEW PART NO	OLD SUMNER PART NO	OLD BB PART NO	DESCRIPTION				
3510SSH	n/a	n/a	Max Jax™ kit with stainless steel sleeves on V-head and casters				
DIMENSIONS (L x W x H)		ADJUSTMENT HEIGHT		LOAD CAPACITY		SHIPPING WEIGHT	
30 x 30 x 32"	762 x 762 x 812.8 mm	32 - 44"	812.8 - 1,117.6 mm	5,000 lbs	2,265 kg	104 lbs	47.00 kg



NEW PART NO	OLD SUMNER PART NO	OLD BB PART NO	DESCRIPTION				
3510BTH	n/a	3518	Max Jax™ kit with stainless steel ball transfer on V-head and casters				
DIMENSIONS (L x W x H)		ADJUSTMENT HEIGHT		LOAD CAPACITY		SHIPPING WEIGHT	
30 x 30 x 32"	762 x 762 x 812.8 mm	32 - 44"	812.8 - 1,117.6 mm	1,000 lbs	450 kg	108 lbs	49.00 kg



NEW PART NO	OLD SUMNER PART NO	OLD BB PART NO	DESCRIPTION				
3510BJH	781485	n/a	Max Jax™ kit with Beam JAX™ head and casters				
DIMENSIONS (L x W x H)		ADJUSTMENT HEIGHT		LOAD CAPACITY		SHIPPING WEIGHT	
30 x 30 x 32"	762 x 762 x 812.8 mm	32 - 44"	812.8 - 1,117.6 mm	2,500 lbs	1,135 kg	125 lbs	57.00 kg

<b>PART NO</b>	3500		
<small>OLD BB PART NO 3500 OLD SUMNER PART NO 781460</small> <b>DESCRIPTION:</b> Max Jax™ with V-Head			
<b>LOAD CAPACITY</b>		<b>SHIPPING WEIGHT</b>	
5,000 lbs	2,265 kg	64.00 lbs	29.00 kg



The B&B SUMNER MAX JAX™ (PART NO 3500) can be fitted with levelling pads or caster roller wheels kit set

<b>PART NO</b>	3500LPK		
<small>OLD BB PART NO 3500-1 OLD SUMNER PART NO 781396</small> <b>DESCRIPTION:</b> Levelling Pads Kit (set of 5)			
<b>LOAD CAPACITY</b>		<b>SHIPPING WEIGHT</b>	
5,000 lbs	2,265 kg	5 lbs	2.5 kg



<b>PART NO</b>	CWK8		
<small>OLD B&amp;B PART NO 3504 OLD SUMNER PART NO 781464</small> <b>DESCRIPTION:</b> Caster Wheel Kit 8" (set of 5)			
<b>LOAD CAPACITY</b>		<b>SHIPPING WEIGHT</b>	
5,000 lbs	2,265 kg	37.5 lbs	17.00 kg



## JAX™ LARGE V-HEAD OPTIONS

<b>PART NO</b>	SWK4		
<small>OLD BB PART NO 3502 OLD SUMNER PART NO 781406</small> <b>DESCRIPTION:</b> Steel wheel kit (set of 4)			
<b>LOAD CAPACITY</b>		<b>SHIPPING WEIGHT</b>	
5,000 lbs	2,265 kg	12.30 lbs	5.60 kg



Large V-head not included

<b>PART NO</b>	SSWK4		
<small>OLD BB PART NO 3508 OLD SUMNER PART NO 781407</small> <b>DESCRIPTION:</b> Stainless steel wheel kit (set of 4)			
<b>LOAD CAPACITY</b>		<b>SHIPPING WEIGHT</b>	
5,000 lbs	2,265 kg	12.30 lbs	5.60 kg



Large V-head not included

<b>PART NO</b>	PWK4		
<small>OLD BB PART NO 3503 OLD SUMNER PART NO 781394</small> <b>DESCRIPTION:</b> Phenolic wheel kit (set of 4)			
<b>LOAD CAPACITY</b>		<b>SHIPPING WEIGHT</b>	
1,000 lbs	450 kg	4.40 lbs	2.00 kg



Large V-head not included

<b>PART NO</b>	BTH4		
<small>OLD BB PART NO 3509 OLD SUMNER PART NO 781383</small> <b>DESCRIPTION:</b> Stainless steel ball transfer head kit (set of 2)			
<b>LOAD CAPACITY</b>		<b>SHIPPING WEIGHT</b>	
1,000 lbs	450 kg	6.60 lbs	3.00 kg



Large V-head not included

<b>PART NO</b>	SSHK4		
<small>OLD BB PART NO 3507 OLD SUMNER PART NO 781382</small> <b>DESCRIPTION:</b> Stainless steel large V-head sleeves (set of 2)			
<b>LOAD CAPACITY</b>		<b>SHIPPING WEIGHT</b>	
5,000 lbs	2,265 kg	2.20 lbs	1.00 kg



Large V-head not included

<b>PART NO</b>	BJH4		
<small>OLD BB PART NO n/a OLD SUMNER PART NO 781490</small> <b>DESCRIPTION:</b> Beam JAX™ head only			
<b>LOAD CAPACITY</b>		<b>SHIPPING WEIGHT</b>	
2,500 lbs	1,135 kg	32 lbs	14.5 kg



Max. width 24" / 609 mm

<b>PART NO</b>	HDD		
<small>OLD BB PART NO 3506 OLD SUMNER PART NO 781050</small> <b>DESCRIPTION:</b> Hold down device			
<b>PIPE DIAMETER</b>		<b>SHIPPING WEIGHT</b>	
Max. 36"	915 mm	15.40 lbs	7.00 kg

