

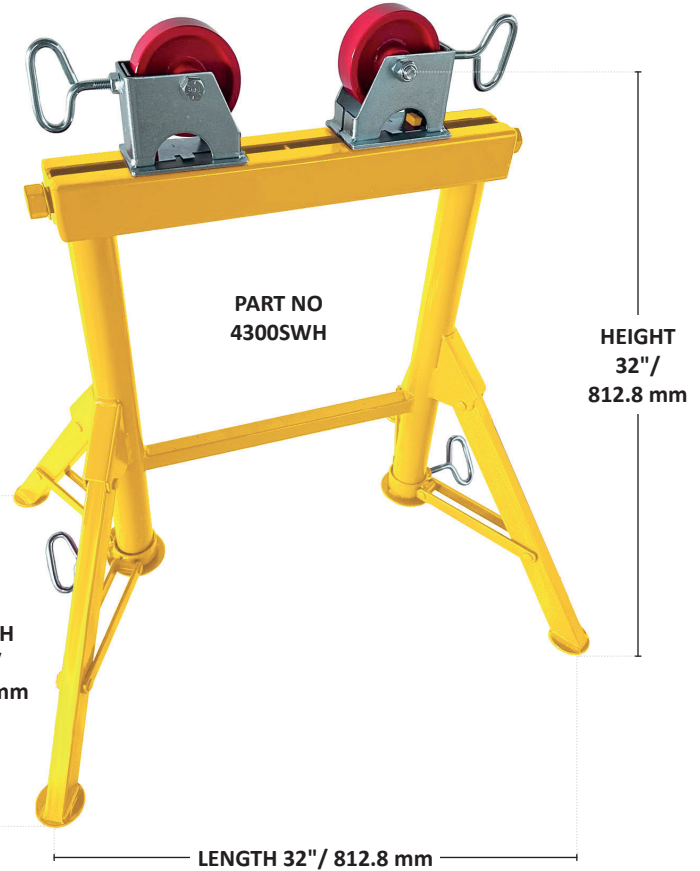
HI ADJUST-A-ROLL™



PRODUCT BROCHURE

The B&B SUMNER Hi Adjust-A-Roll™ is a folding four leg pipe roller used in pipe fabrication facilities and job-sites with thousands in use. The sturdy base and adjustable wheels are a favorite with medium size pipe fabrication projects allowing a stable work platform that allows pipe rotation.

PART NO	4300BASE		
<small>OLD BB PART NO 4300-BASE OLD SUMNER PART NO 780399</small> DESCRIPTION: Hi Adjust-A-Roll™ (base only)			
LOAD CAPACITY		SHIPPING WEIGHT	
n/a	n/a	45 lbs	21 kg
SEE ADJUST-A-ROLL ACCESSORIES & PARTS FOR OPTIONS			
Contact us for full crate quantities.			

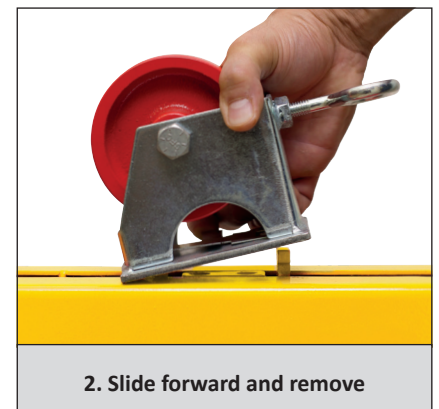
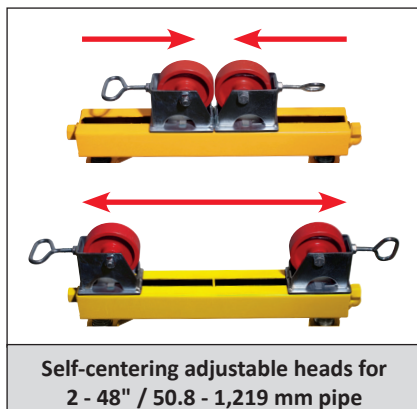
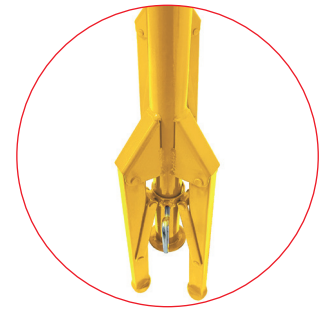


SPECIFICATIONS

- Stable 4 leg design with a 24 x 32" / 609.6 - 812.8 mm footprint.
- Removable wheel housings for ease of shipment and replacement.
- Self-centering head adjustment from either side
- T-handle brake to stop pipe rotation.
- Wheels can be easily adjusted to accommodate pipe up to 48" / 1,219 mm.
- 1.5" wide wheels to reduce instances of 'pipe travel'.
- Widest in the industry.

NEW AND IMPROVED

- **110% increased load capacity (heaviest duty in the industry). 5,290 lbs / 2,400 kg load capacity (with steel wheels).**
- Oversized square tube legs and braces for increased durability. 1 x 1.5" (largest in the industry).
- Square tube bracing offers additional strength and rigidity (heaviest duty box section in the industry).
- Folding leg design for easy storage and strength.
- User friendly.
- Increased footprint for additional stability.





NEW PART NO	OLD SUMNER PART NO	OLD BB PART NO	DESCRIPTION				
4300SWH	780365	4300	Hi Adjust-A-Roll™ with steel wheel head				
DIMENSIONS (L x W x H)		ADJUSTMENT HEIGHT		LOAD CAPACITY		SHIPPING WEIGHT	
32 x 24 x 32"	812.8 x 609.6 x 812.8 mm	32"	812.8 mm	5,290 lbs	2,400 kg	47 lbs	21.00 kg



NEW PART NO	OLD SUMNER PART NO	OLD BB PART NO	DESCRIPTION				
4300PWH	780367	4305	Hi Adjust-A-Roll™ with phenolic wheel head				
DIMENSIONS (L x W x H)		ADJUSTMENT HEIGHT		LOAD CAPACITY		SHIPPING WEIGHT	
32 x 24 x 32"	812.8 x 609.6 x 812.8 mm	32"	812.8 mm	1,000 lbs	450 kg	43 lbs	19.00 kg



NEW PART NO	OLD SUMNER PART NO	OLD BB PART NO	DESCRIPTION				
4315SSWH	780368	4315	Hi Adjust-A-Roll™ with stainless steel wheel head				
DIMENSIONS (L x W x H)		ADJUSTMENT HEIGHT		LOAD CAPACITY		SHIPPING WEIGHT	
32 x 24 x 32"	812.8 x 609.6 x 812.8 mm	32"	812.8 mm	5,290 lbs	2,400 kg	47 lbs	21.00 kg



NEW PART NO	OLD SUMNER PART NO	OLD BB PART NO	DESCRIPTION				
4310BTH	780366	4310	Hi Adjust-A-Roll™ with stainless steel ball transfer head				
DIMENSIONS (L x W x H)		ADJUSTMENT HEIGHT		LOAD CAPACITY		SHIPPING WEIGHT	
32 x 24 x 32"	812.8 x 609.6 x 812.8 mm	32"	812.8 mm	3,200 lbs	1,450 kg	44 lbs	20.00 kg



NEW PART NO	OLD SUMNER PART NO	OLD BB PART NO	DESCRIPTION				
4300CRH	780369	n/a	Hi Adjust-A-Roll™ with conveyor roller head				
DIMENSIONS (L x W x H)		ADJUSTMENT HEIGHT		LOAD CAPACITY		SHIPPING WEIGHT	
32 x 24 x 32"	812.8 x 609.6 x 812.8 mm	32"	812.8 mm	2,000 lbs	900 kg	44 lbs	20.00 kg

PART NO		SWH3	
OLD BB PART NO 90065 OLD SUMNER PART NO 783151 DESCRIPTION: Quick change steel wheel head (pair)			
LOAD CAPACITY		SHIPPING WEIGHT	
5,290 lbs	2,400 kg	6.60 lbs	3.00 kg



PART NO		SSWH3	
OLD BB PART NO 90066 OLD SUMNER PART NO 783153 DESCRIPTION: Quick change stainless steel wheel head (pair)			
LOAD CAPACITY		SHIPPING WEIGHT	
5,290 lbs	2,400 kg	6.60 lbs	3.00 kg



PART NO		PWH3	
OLD BB PART NO 90067 OLD SUMNER PART NO 783152 DESCRIPTION: Quick change phenolic wheel head (pair)			
LOAD CAPACITY		SHIPPING WEIGHT	
1,000 lbs	450 kg	4.90 lbs	2.20 kg



PART NO		BTH3	
OLD BB PART NO 90068 OLD SUMNER PART NO 783154 DESCRIPTION: Quick change stainless steel ball transfer head (pair)			
LOAD CAPACITY		SHIPPING WEIGHT	
3,200 lbs	1,450 kg	6.60 lbs	3.00 kg



PART NO		CRH3	
OLD BB PART NO n/a OLD SUMNER PART NO 783155 DESCRIPTION: Quick change conveyor roller head			
LOAD CAPACITY		SHIPPING WEIGHT	
2,000 lbs	900 kg	4.90 lbs	2.20 kg

